

PLAN VIEW

2" DRAIN CONNECTION.
CUSTOMER PROVIDE HOSE /
PIPE TO CUSTOMER'S WASTE
WATER TREATMENT EQUIPMENT

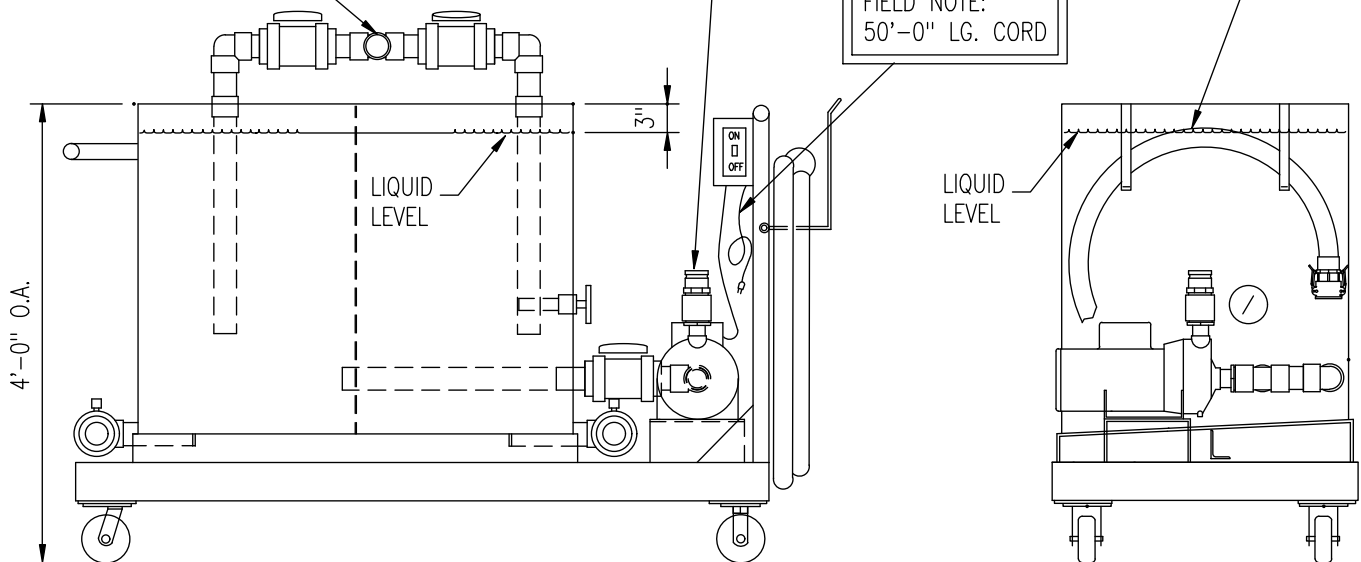
2" DRAIN CONNECTION.
CUSTOMER PROVIDE HOSE /
PIPE TO CUSTOMER'S WASTE
WATER TREATMENT EQUIPMENT

2" DIA RETURN
HOSE CONNECTION

2" DIA SUPPLY
HOSE CONNECTION

FIELD NOTE: (2)
30'-0" LG. HOSES

FIELD NOTE:
50'-0" LG. CORD



ELEVATION VIEW

END VIEW

NOTES:

1. TANK CAPACITY APPROX. 90 GALS. EACH TANK
2. PUMP RATED AT 95 GPM @ 45 FT TDH
3. CONSULT OPERATING LITERATURE FOR PROPER CLEANING PROCEDURES.

GEORGE KOCH SONS, LLC
EVANSVILLE, IN 47744



This drawing and its designs are part of the intellectual property of GEORGE KOCH SONS, LLC. and may not be copied or used without the written permission of GEORGE KOCH SONS, LLC. This drawing, its designs and any information hereon may not be disclosed to any third party without the written permission of GEORGE KOCH SONS, LLC.

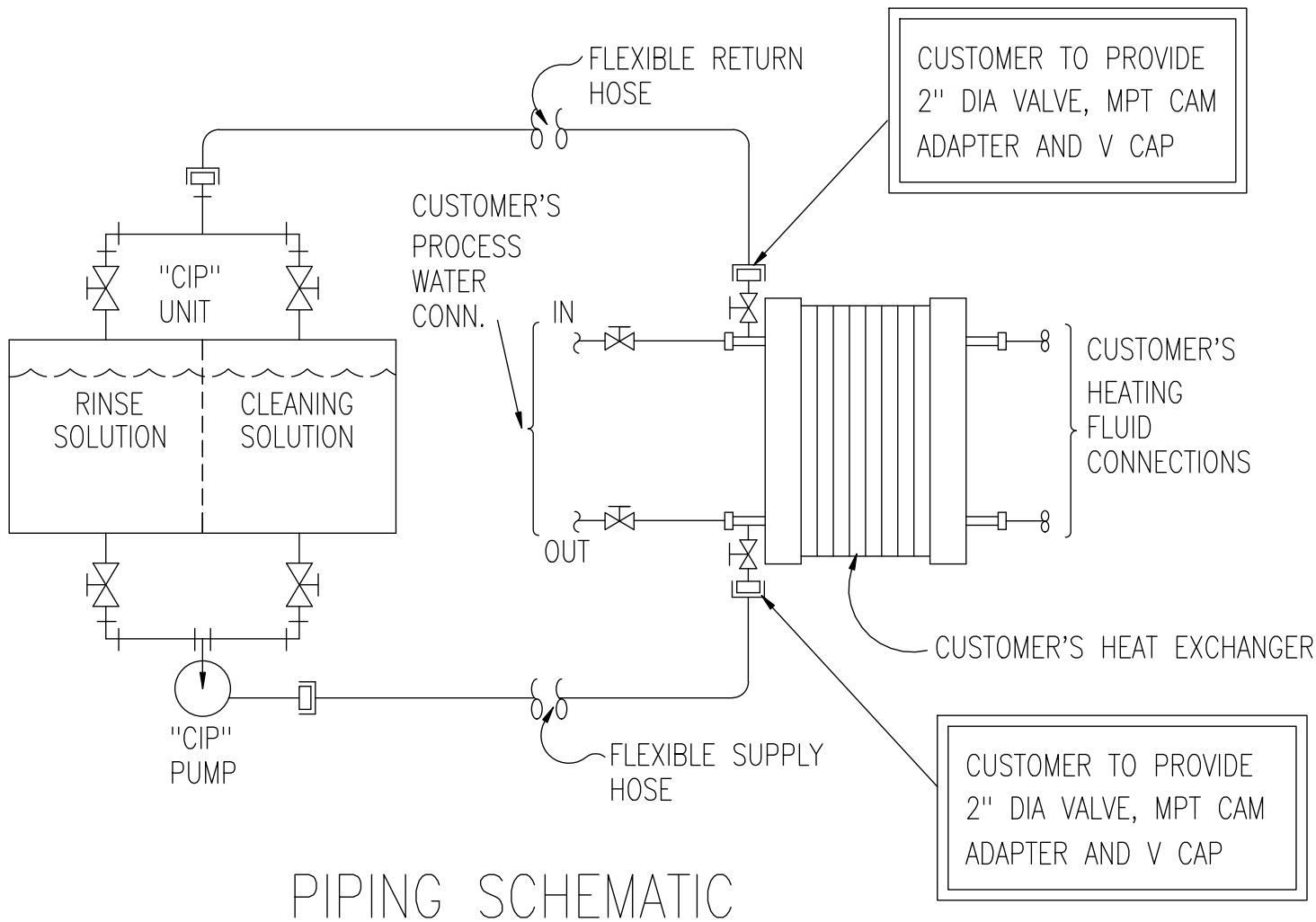
Date

Sketch No.

Rev No.


Revision Description

Rev Date



NOTES:

1. TANK CAPACITY APPROX. 90 GALS. EACH TANK
2. PUMP RATED AT 95 GPM @ 45 FT TDH
3. CONSULT OPERATING LITERATURE FOR PROPER CLEANING PROCEDURES.

GEORGE KOCH SONS, LLC EVANSVILLE, IN 47744				
<small>This drawing and its designs are part of the intellectual property of GEORGE KOCH SONS, LLC. and may not be copied or used without the written permission of GEORGE KOCH SONS, LLC. This drawing, its designs and any information hereon may not be disclosed to any third party without the written permission of GEORGE KOCH SONS, LLC.</small>		Date	Sketch No.	
Rev No.	Revision Description	Rev Date		